

Warranty

UVP's quality transilluminators are guaranteed to be free of defects in materials, workmanship and manufacture for two (2) years from the date of purchase. Consumable and disposable parts including, but not limited to bottles, tubes and filters, are guaranteed to be free from defects in manufacture and materials for ninety (90) days from date of purchase. If equipment failure or malfunction occurs during the warranty period, UVP shall examine the inoperative equipment and have the option of repairing or replacing any part(s) which, in the judgment of UVP, were originally defective or became so under conditions of normal usage and service.

No warranty shall apply to any instrument, or part thereof, that has been subject to accident, negligence, alteration, abuse or misuse by the end-user. Moreover, UVP makes no warranties whatsoever with respect to parts not supplied by UVP or that have been installed, used and/or serviced other than in strict compliance with the instructions appearing in the operational manual supplied to the end-user.

In no event shall UVP be responsible to the end-user for any incidental or consequential damages, whether foreseeable or not, including, but not limited to property damage, inability to use equipment, lost business, lost profits, or inconvenience arising out of or connected with the use of instruments produced by UVP. Nor is UVP liable or responsible for any personal injuries occurring as a result of the use, installation and/or servicing of equipment. This warranty does not supersede any statutory rights that may be available in certain countries.

For additional products, go to UVP.com for more information.

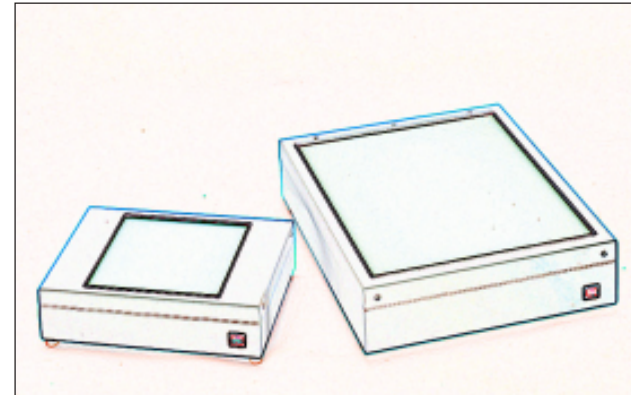


UVP, Inc. 2066 W. 11th Street, Upland, California 91786
Tel: (800)452-6788; (909)946-3197 / Fax: (909)946-3597
E-Mail: uvp@uvp.com

Ultra-Violet Products Ltd. Unit 1, Trinity Hall Farm Estate,
Nuffield Road, Cambridge CB4 1TG UK
Tel: +44(0)1223 420022 Fax: +44(0)1223 420561
E-Mail: uvp@uvp.co.uk

White Light Transilluminators Models TW-43 and TW-26

Operating Instructions



White Light Transilluminators offer the researcher cool white light through an evenly diffused glass surface. The plexiglass and glass combination is permanently sealed into the unit—double sealed safety fused for durability. Excellent for viewing coomassie blue stained gels as well as autoradiographs, X-Rays, and microtiter plates. The TW-26 is designed for use with 8 x 10" film sizes; the TW-43 with 14 x 17" film sizes.

Operation

Place the Transilluminator on a level work surface. Be sure that adequate air space exists around the unit. This space allows for proper air circulation through the unit.

Plug the female end of the power cord into the Transilluminator. For 230 volt models, or those requiring special power-cord connectors, ensure that the proper configuration of male connector or plug has been properly connected to the power cord. Plug the male end of the power cord into a properly grounded electrical outlet. The proper voltage of the Transilluminator is found on the product information label.

Place sample on the filter area. Press the ON/OFF switch to ON. The white lights should be glowing beneath the filter after a momentary flickering during the start period. After viewing/ photographing your sample, turn the unit off.



Maintenance

Technical support is provided by UVP at the telephone numbers below. Please note that a **Returned Goods Authorization (RGA)** number must be obtained from UVP prior to returning any product.

In the USA: (800)452-6788 (toll free US & Canada)
 (909)946-3197 (telephone)
 (909)946-3597 (fax)
 uvp@uvp.com

In Europe/UK: +44(0)1223-420022 (telephone)
 +44(0)1223-420561 (fax)
 uvp@uvp.co.uk

Replacing the Tubes

The TW-26 contains two 8-watt tubes; the TW-43 contains four 14-watt tubes. To replace white light tubes:

1. Disconnect Transilluminator from electrical supply.
2. Remove filter cover by unscrewing retainer screws.
3. Carefully twist the tubes from lamp holder.
4. Fit the replacement tube into the socket and rotate the tube 1/4 turn until it locks into place.

Cleaning the Transilluminator

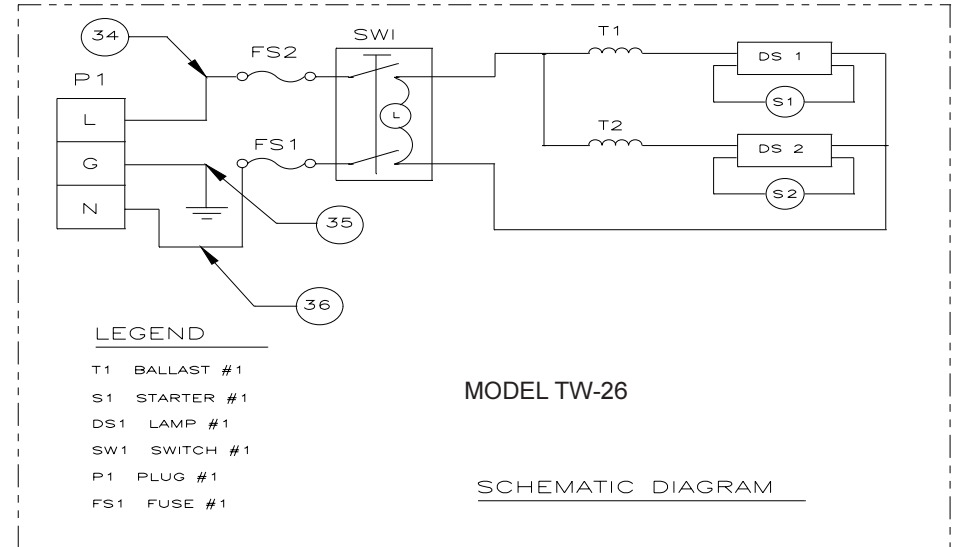
The painted surface and filter areas should be cleaned with a damp soft cloth or sponge. Never use abrasive cleaners as this will damage the filter surface. **ALWAYS DISCONNECT THE TRANSILLUMINATOR FROM ELECTRICAL POWER PRIOR TO CLEANING.**

Replacement Parts

	For TW-26	For TW-43
Filter Assembly	38-0161-04	38-0165-01
Tube, White, 8 Watt	34-0056-01	
Tube, White, 14 Watt		34-0059-01

Schematic for TW-26

Model	Part No.	Nom. Volt/Hz/Amp	Filter Sz	# of Tubes
TW-26	95-0208-01	115V/60Hz/.375A	21x26cm	2
TW-26	95-0208-02	230V/50Hz/.37A	21x26cm	2
TW-26	95-0208-03	100V/50-60Hz/.4A	21x26cm	2



Schematic for TW-43

Model	Part No.	Nom. Volt/Hz/Amp	Filter Sz	# of Tubes
TW-43	95-0214-01	115V/60Hz/1.2A	36x43cm	4
TW-43	95-0214-02	230V/50Hz/.8A	36x43cm	4
TW-43	95-0214-03	100V/50-60Hz/1.3A	36x43cm	4

