

LX200GPS Tip #1

The LX200GPS Microfocuser is shipped with the Microfocuser adapter (1) threaded to the SC accessory adapter (2). Unthread the adapters from each other before attaching the Microfocuser. Set aside the SC accessory adapter. For more information about the Microfocuser assembly, see page 14 of the LX200GPS Operating Instructions.

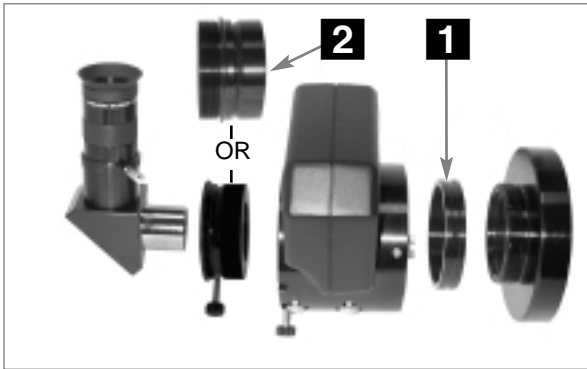


Fig. 1: The complete LX200GPS Microfocuser assembly.