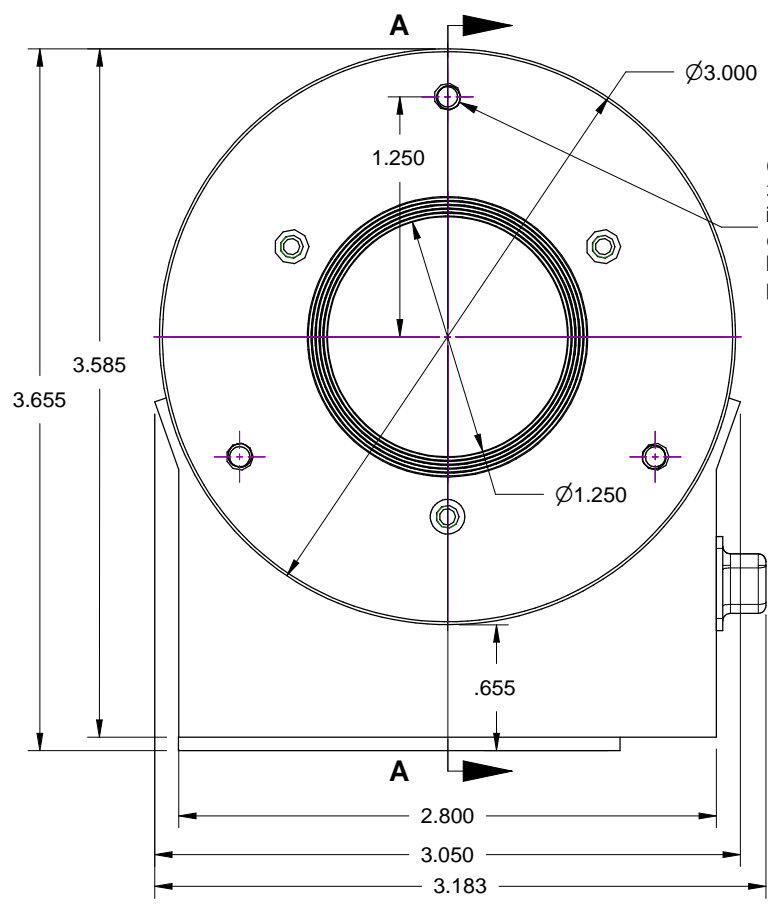
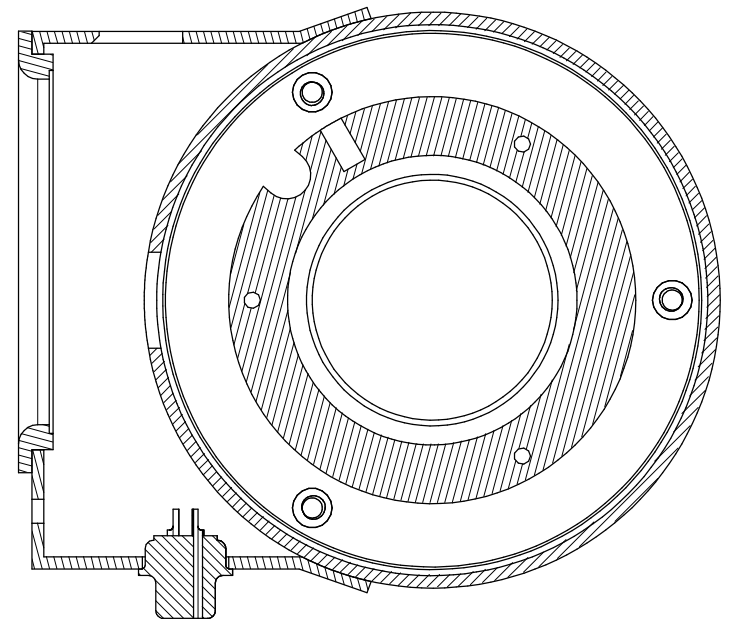


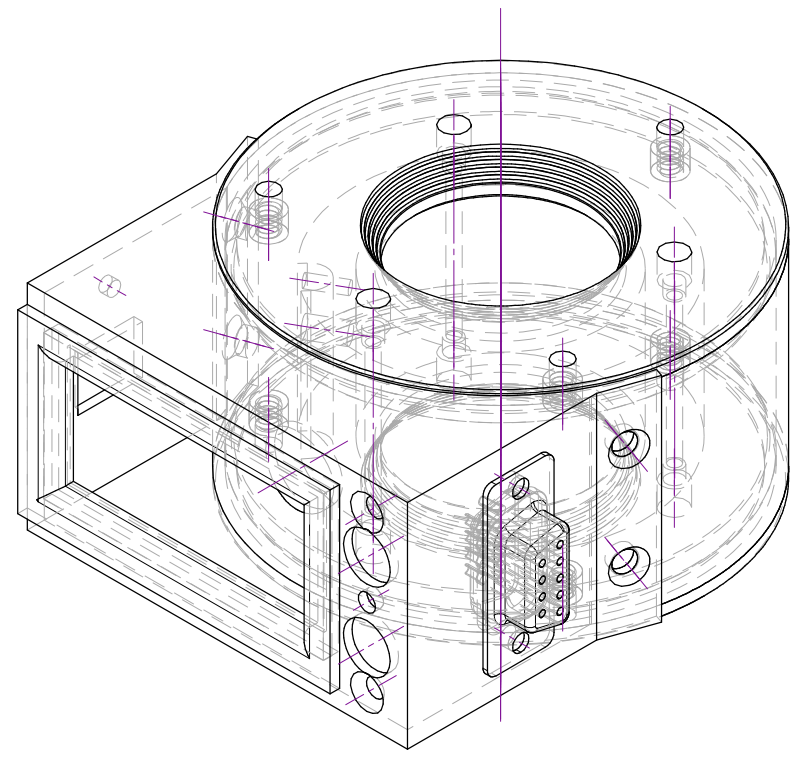
Section A-A



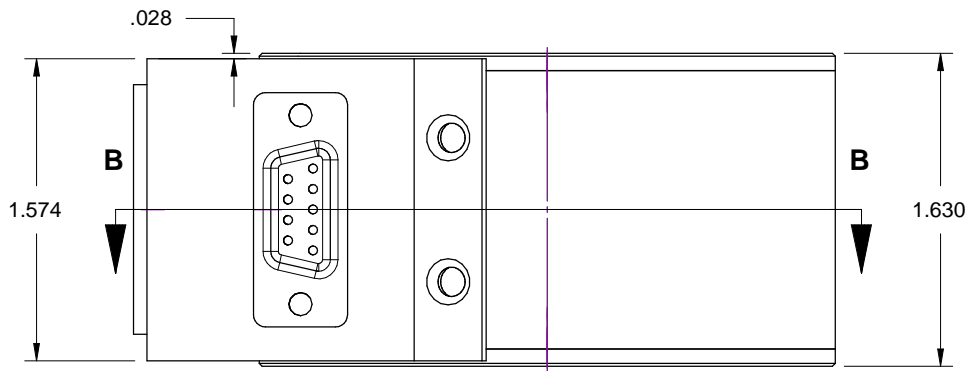
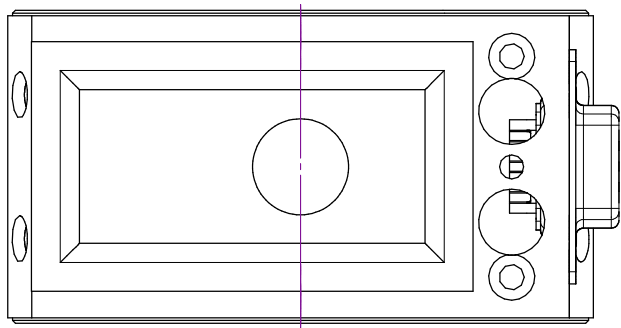
Customer mounting holes:
3x female 6-32 UNC threaded
inserts each side, on 2.5"
circle spaced 120°. Recommended screw
penetration 0.250-0.375"




Section B-B



Light Transmission Direction



REVISIONS				
ZONE	REV	DESCRIPTION	DATE	APPROVED

All dimensions in inches. Optics, fasteners, wiring, heaters, PCB, power connector not shown.	DRAWN Fred Bruenjes	DATE 10/15/2008	 149 NW OO Hwy Warrensburg, MO 64093			
	CHECKED					
	QA		Quantum Housing Exterior Dimensions			
	MFG					
	APPROVED		SIZE B	FSCM NO. 4NS73	DWG NO. Q38MM-E1	REV A
PROPRIETARY AND CONFIDENTIAL			SCALE 1 : 1		SHEET 1 OF 1	