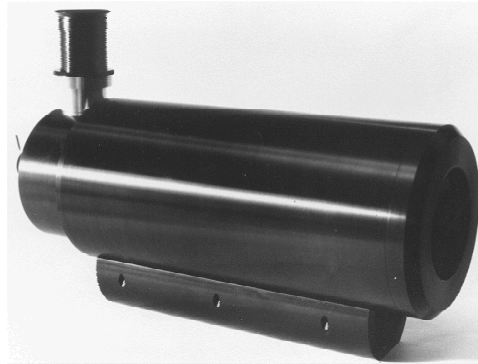


QM 100  
Long-Distance  
Microscope  
(#30003)



The QM 100 combines the compactness and ease of use of the QM 1 with the relative aperture and resolution of the larger microscopes. For applications requiring high magnification and resolution, and which allow the user to work from distances of 15 cm. to 35 cm., the QM 100 is uncontested in performance and flexibility.

Specifications

Type:	Maksutov Cassegrain Catadioptric		
Working Range:	15 cm (6 inches) to 35 cm (14 inches), subject plane to front element.		
Numerical Aperture:	Working Distance	N.A.	f/no
	33.5 cm (14 inches)	.083	6.0
	25.4 cm (10 inches)	.115	4.3
	15 cm (6 inches)	.142	3.5
Resolution:	1.1 microns at 15 cm (6 inches).		
Magnification:	To 34 times at image plane.		
Format:	Diffraction Limited Field 12 mm.		

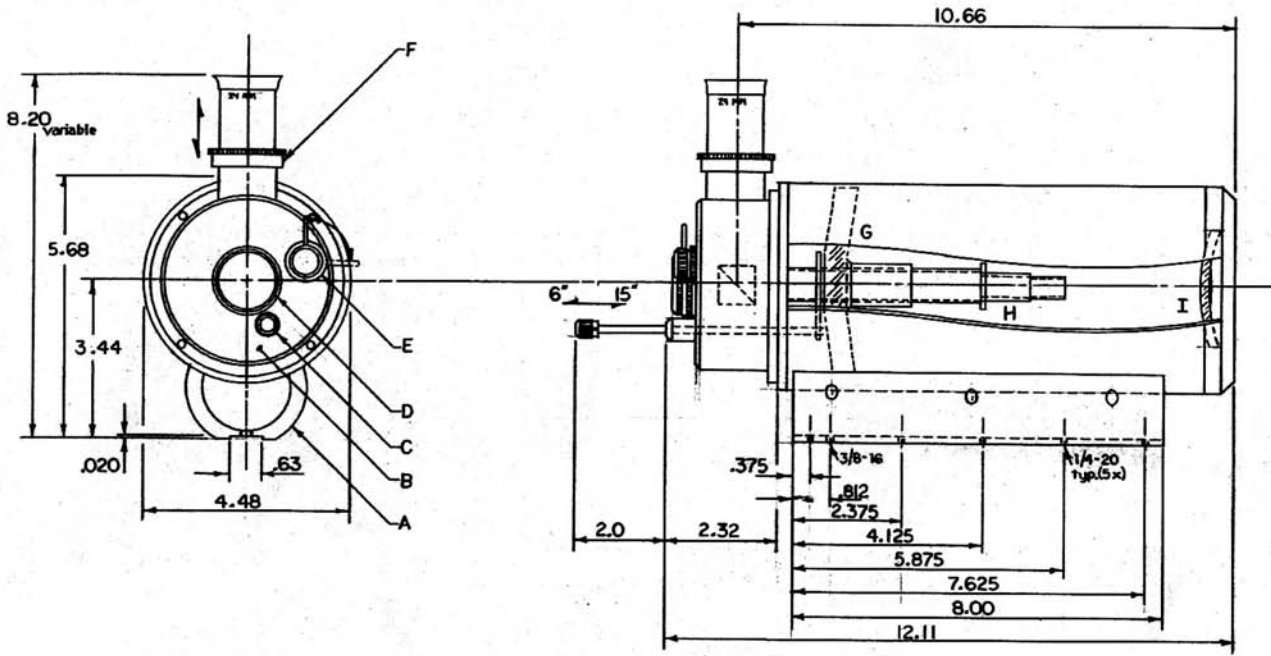
Optics

Corrector Lens:	BK7, Magnesium Fluoride Coated, 63 mm (2.5 inch) diameter.
Primary Mirror:	Pyrex, Aluminum Coated, SiO overcoated 104 mm (4.1 inch) diameter.
Secondary Mirror:	R1 Surface of Corrector, Aluminum Coated, 16 mm (.63 inch) diameter.
Baffling:	Helical in central tube, all interior surfaces anti-reflection coated.

Mechanical

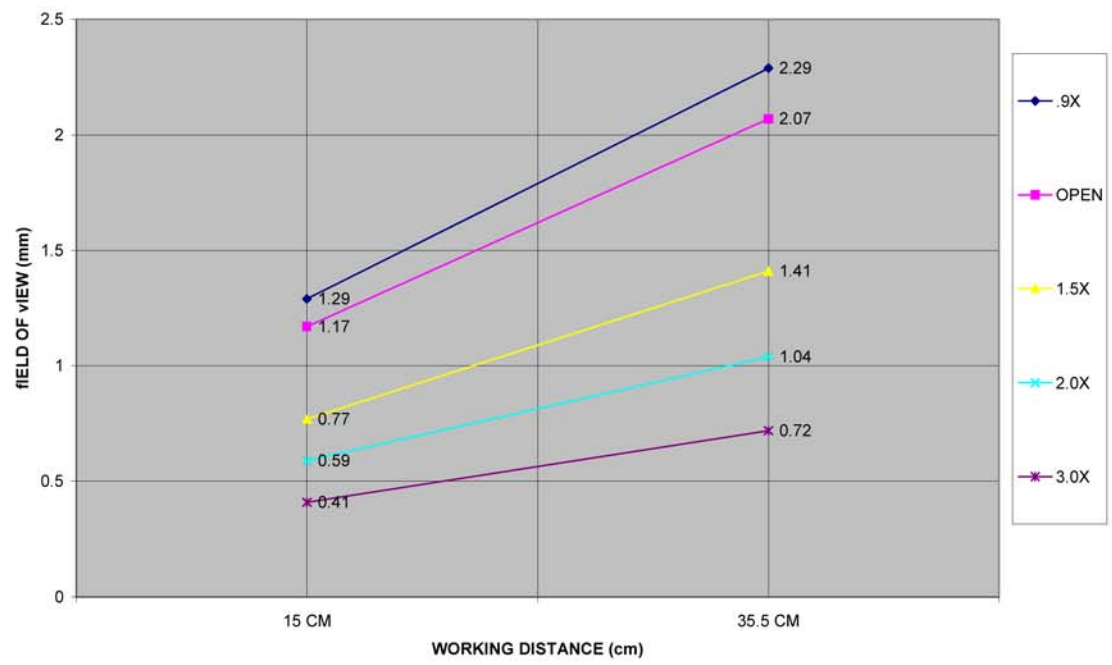
Barrel:	Aluminum, machined from seamless stock, threaded lens cell black anodized. Length 32 cm (12.6 inches), outside diameter 11.4 cm (4.5 inches), weight 2.27 kg (5 lbs).
Rear Closure Plate:	Aluminum with stainless steel main tube holder plate, adjustable centering.
Focusing Mechanism:	Mirror thimble integral with stainless steel sliding tube. Slides on fixed, stainless steel light baffle tube (centerless ground). Conical s.s. spring loaded Focus rod s.s. 303, precision ground, 24 TPI; integrated inside control box.
Control Box:	Machined aluminum, selectable axial or 90° port. Internal beamsplitter standard flickknob controlled.
Knobs:	Aluminum, 24S-T4, corrosion resistant, stainless steel shafts and levers.
Mount:	Full barrel length, 1/4" - 20 and 3/8" -16 mounting holes.

\* Specifications subject to change without notice.



- |                                  |   |
|----------------------------------|---|
| A - TRIPOD MOUNT                 | F - DIOPTER ADAPTER AND EYEPIECE (REMOVE TO INSTALL TARGET LIGHT) |
| B - CONTROL BOX                  | G - PRIMARY MIRROR AND FOCUS ASSEMBLY                             |
| C - FOCUS KNOB & BUSHING         | H - MAIN TUBE AND BAFFLE ASSEMBLY                                 |
| D - AXIAL PHOTOGRAPHIC PORT      | I - CORRECTOR AND LENS CELL                                       |
| E - BEAM SPLITTER ACTUATION KNOB |   |

QM100 Field of View (2/3" CCD)



Company Seven  
 Box 2587  
 Montpelier, Maryland 20709-2587  
 USA

Telephone: 301-953-2000  
 Email: info@company7.com  
 Web: www.company7.com