

8

7

6

5

4

3

1704

SH

REV

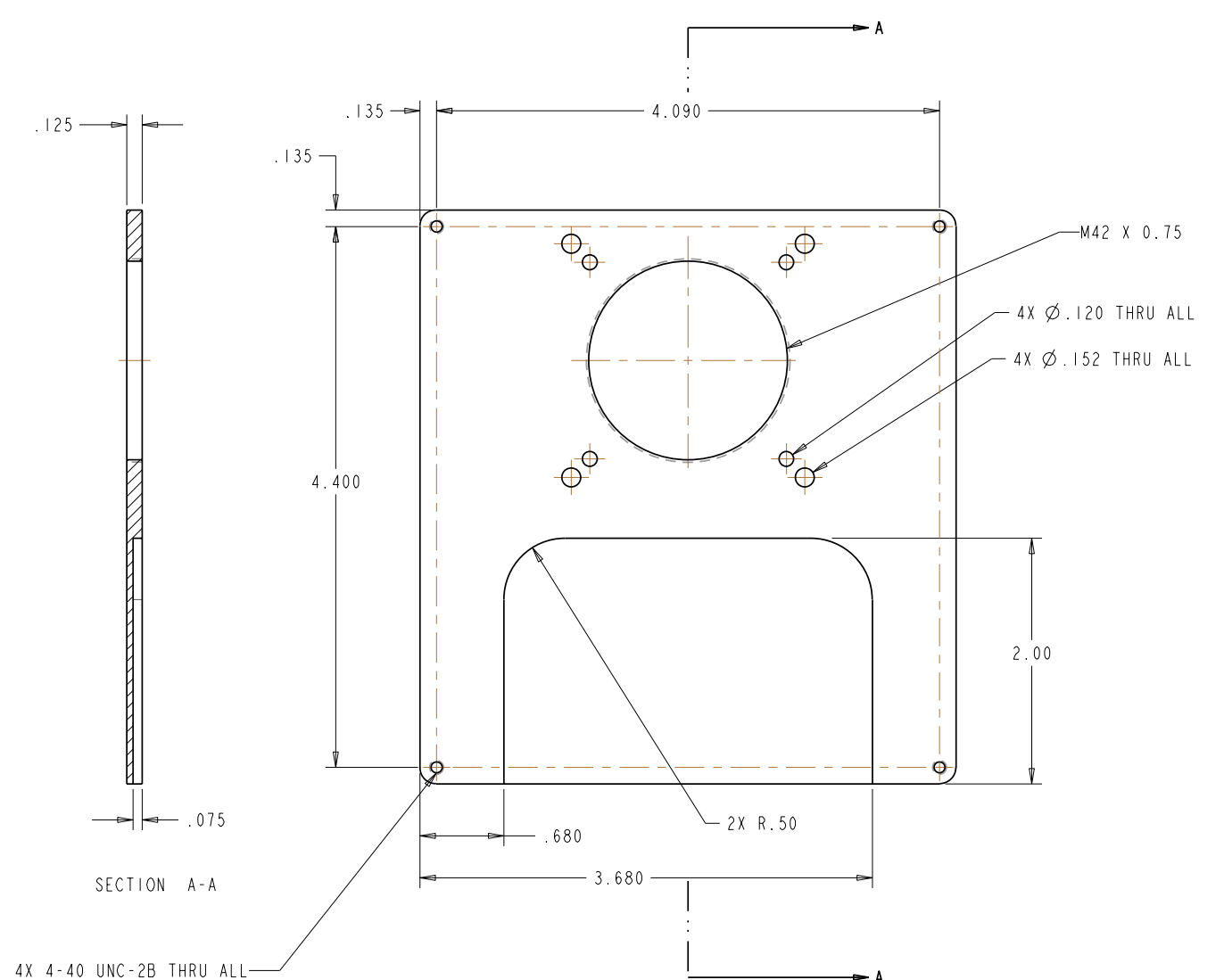
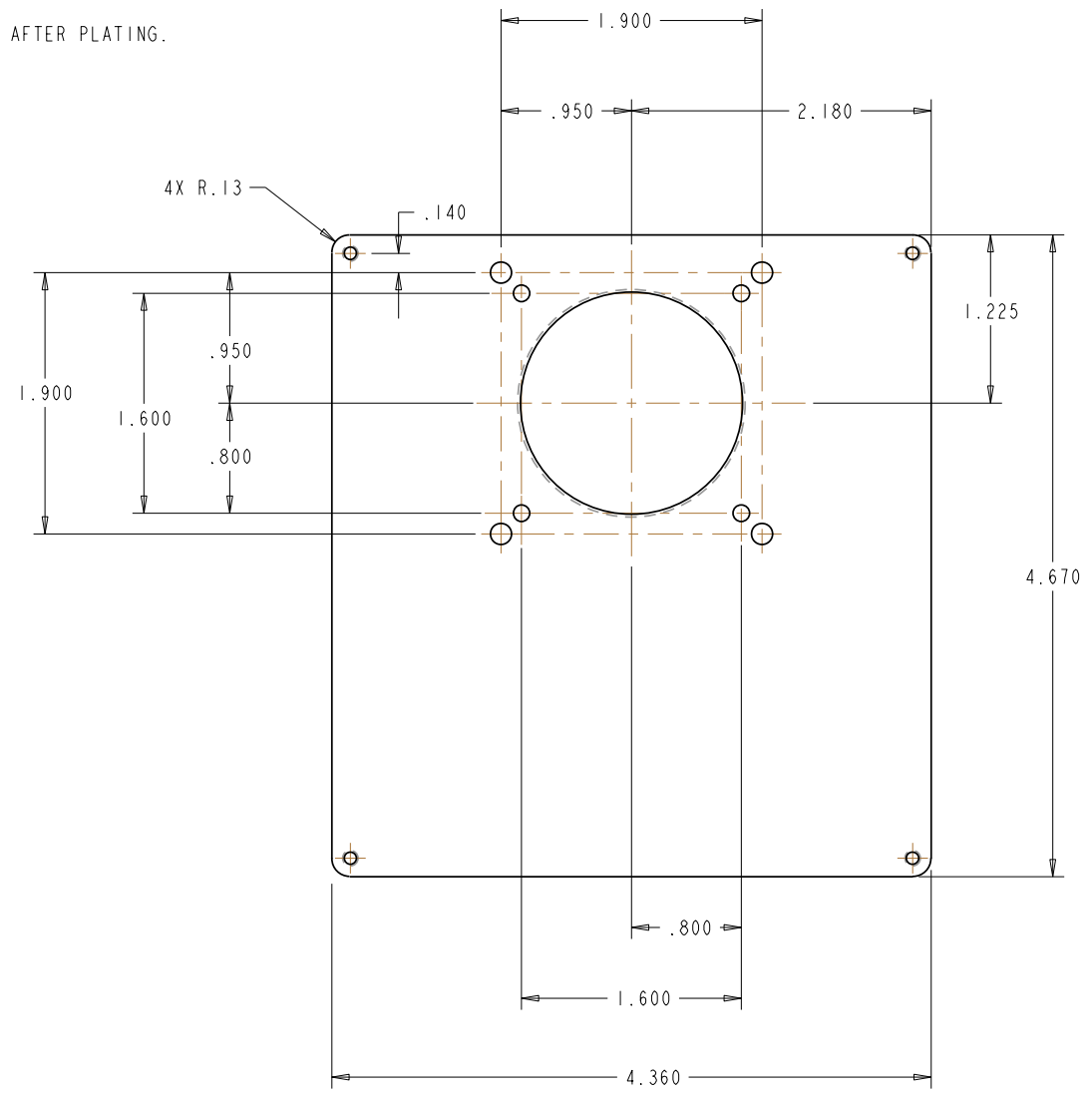
1

COPYRIGHT 2006 SANTA BARBARA INSTRUMENT GROUP
UNPUBLISHED WORK - ALL RIGHTS RESERVED

NOTES: UNLESS OTHERWISE SPECIFIED

- 1. MATERIAL: ALUMINUM, 6061-T6 OR T651
- 2. BLACK ANODIZE.
- 3. DIMENSIONS APPLY AFTER PLATING.

REVISIONS				
ZONE	REV	DESCRIPTION	DATE	APPROVED
		RELEASE FOR PROTOTYPE	11/30/06	LMS



SECTION A-A

4X 4-40 UNC-2B THRU ALL

QTY	REQD	CAGE CODE	PART OR IDENTIFYING NO.	NOMENCLATURE OR DESCRIPTION	MATERIAL SPECIFICATION	ITEM NO.
PARTS LIST						
				SBIG ASTRONOMICAL INSTRUMENTS COVER AO-8		
INTERPRET DWG PER ANSI Y14.5 UNLESS OTHERWISE SPECIFIED DIMENSIONS ARE IN INCHES TOLERANCES ARE: ANGULAR ± 5° DECIMAL .X ± .1 .XX ± .01 .XXX ± .005 HOLES < Ø.500 ± .001 SURFACE ROUGHNESS 6.3 BREAK CORNERS .005-.020 FILLET RADII .005-.020 DO NOT SCALE DRAWING		CONTRACT NO. APPROVALS DRAWN L. SASAKI CHECKED ISSUED		DATE 10/18/06 TITLE COVER AO-8 DWG. NO. 1704		REV. -
PART DASH NO. APPLICATION		SIZE D		CAGE CODE IBCX9		SCALE 1/1
		SHEET 1 OF 1		FILE LOCATION H:\PTPARTS\SBIG\AO_LOW\		