

8

7

6

5

4

3

1703

SH

REV

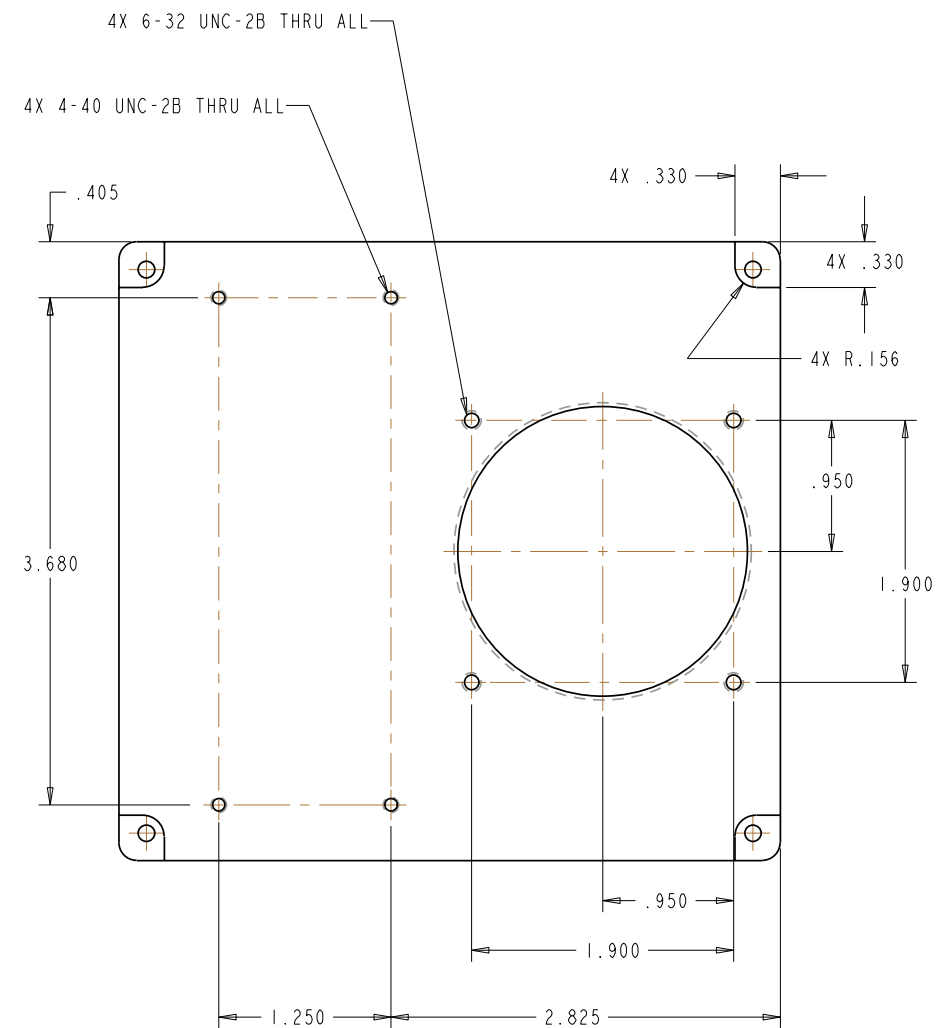
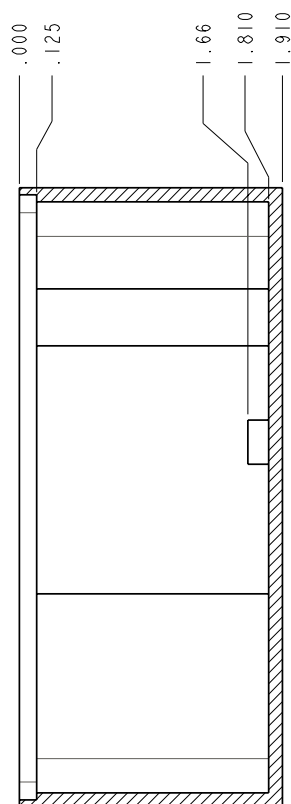
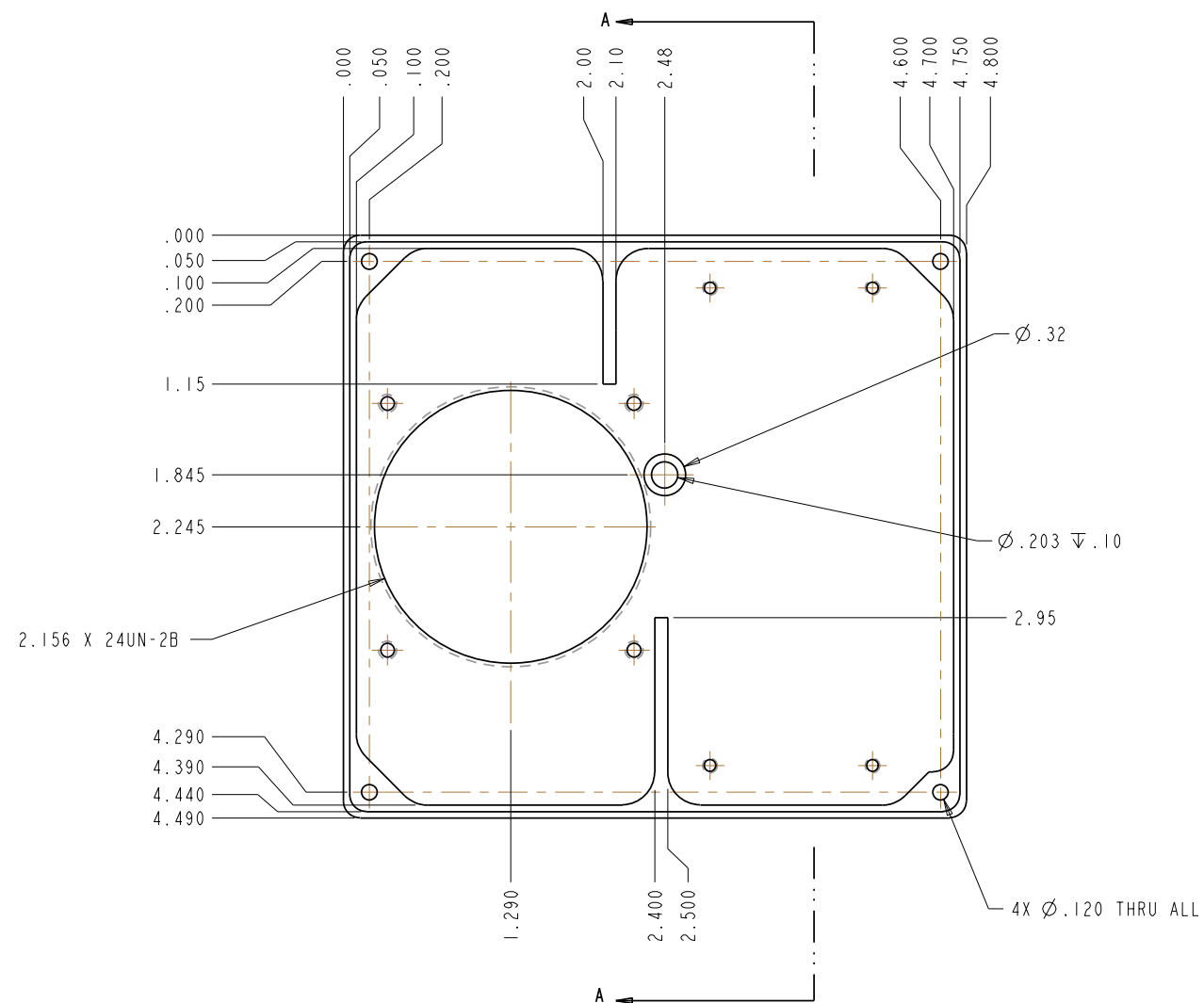
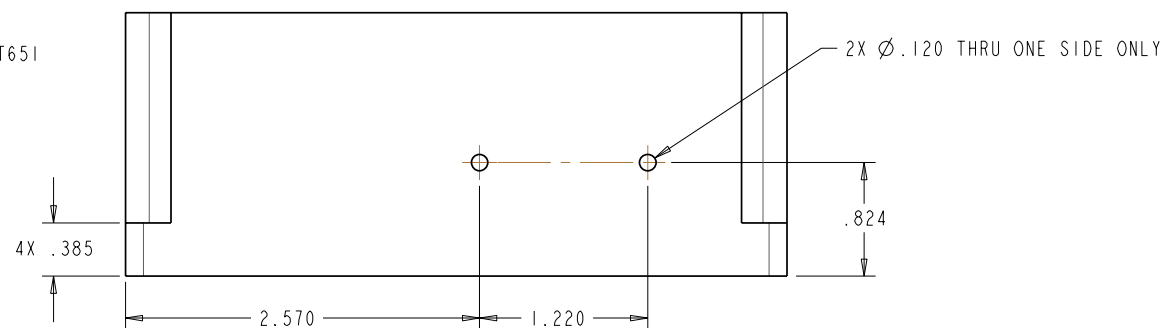
B

1

COPYRIGHT 2006 SANTA BARBARA INSTRUMENT GROUP
UNPUBLISHED WORK - ALL RIGHTS RESERVED

NOTES: UNLESS OTHERWISE SPECIFIED

- 1. MATERIAL: ALUMINUM, 6061-T6 OR T651
- 2. BLACK ANODIZE.
- 3. DIMENSIONS APPLY AFTER PLATING.



REVISIONS				
ZONE	REV	DESCRIPTION	DATE	APPROVED
		RELEASE FOR PROTOTYPE	11/30/06	LMS
A		MODIFIED DIM, ADDED MARKING	2/20/07	LMS
B		\varnothing .203 WAS \varnothing .219	4/24/07	LMS

QTY	REQD	CAGE CODE	PART OR IDENTIFYING NO.	NOMENCLATURE OR DESCRIPTION	MATERIAL SPECIFICATION	ITEM NO.
PARTS LIST						
				SBIG ASTRONOMICAL INSTRUMENTS		
				HOUSING AO-8		
CONTRACT NO.		APPROVALS		DATE		TITLE
		L.SASAKI		10/18/06		
CHECKED		ISSUED		SIZE		CAGE CODE
				D		1BCX9
PART DASH NO.		NEXT ASSY		USED ON		DWG. NO.
						1703
APPLICATION		DO NOT SCALE DRAWING		SCALE		1.5/1
				SHEET		1 OF 2

REVISIONS				
ZONE	REV	DESCRIPTION	DATE	APPROVED
		RELEASED FOR PROTOTYPE	11/30/06	LMS
	A	MODIFIED DIM, ADDED MARKING	2/20/07	LMS
	B	SEE SHEET 1	4/24/07	LMS

