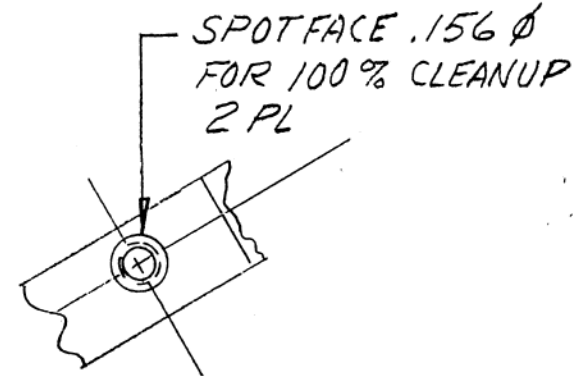
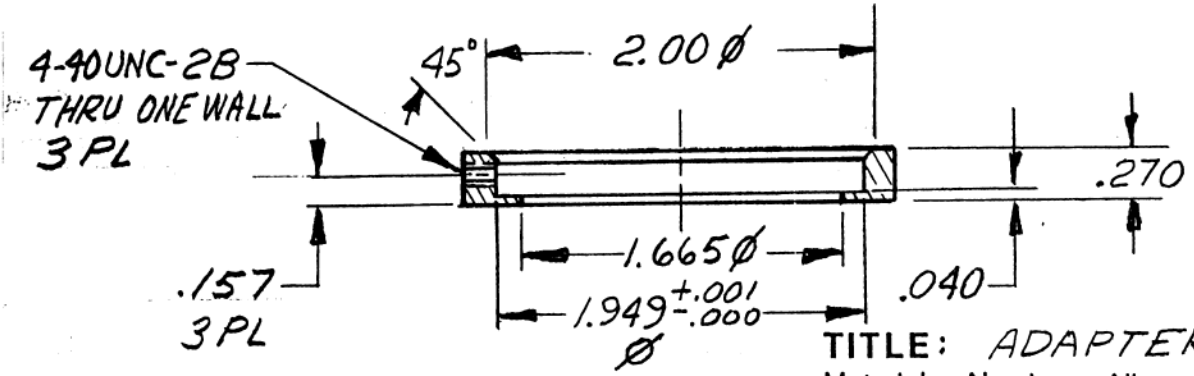


.125^{+0.004}/_{-0.001} Ø THRU
CSINK .240 Ø x .820
4 PL



VIEW A-A
SCALE: 2/1



4-40UNC-2B
THRU ONE WALL
3 PL

TITLE: ADAPTER, FRONT COVER

Material: Aluminum Alloy
Finish: Black Anodize
Tolerances: .X +/- .030
.XX +/- .010
.XXX +/- .005

Santa Barbara Instrument Group
1482 East Valley Rd., Suite J601
Santa Barbara, CA 93108
Scale: FULL Drawn: *[Signature]*
Date: 7/23/95 Drawing No.

ST-7-1