

8

7

6

5

4

3

2170

SH

REV

1

REVISIONS				
ZONE	REV	DESCRIPTION	DATE	APPROVED

COPYRIGHT 2002 SANTA BARBARA INSTRUMENT GROUP  
UNPUBLISHED WORK - ALL RIGHTS RESERVED

NOTES: UNLESS OTHERWISE SPECIFIED

D

C

B

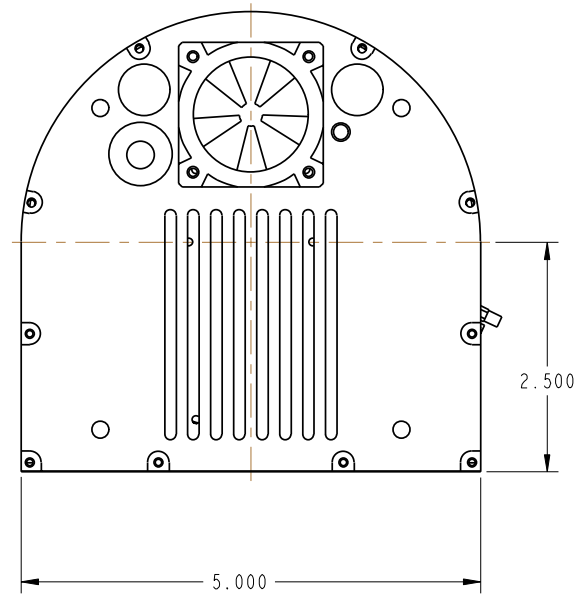
A

D

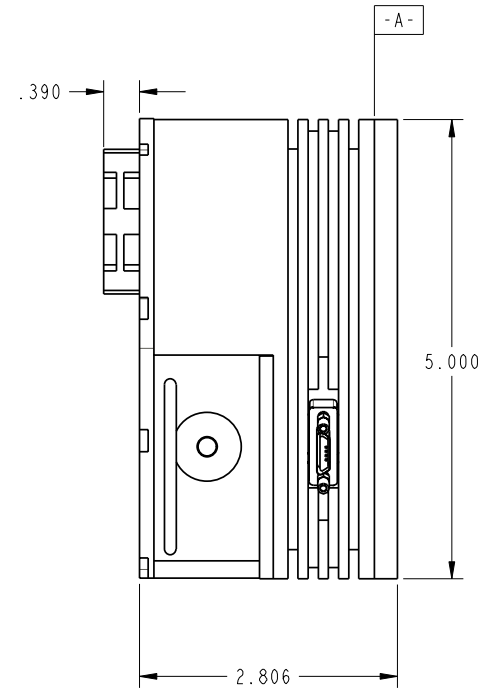
C

B

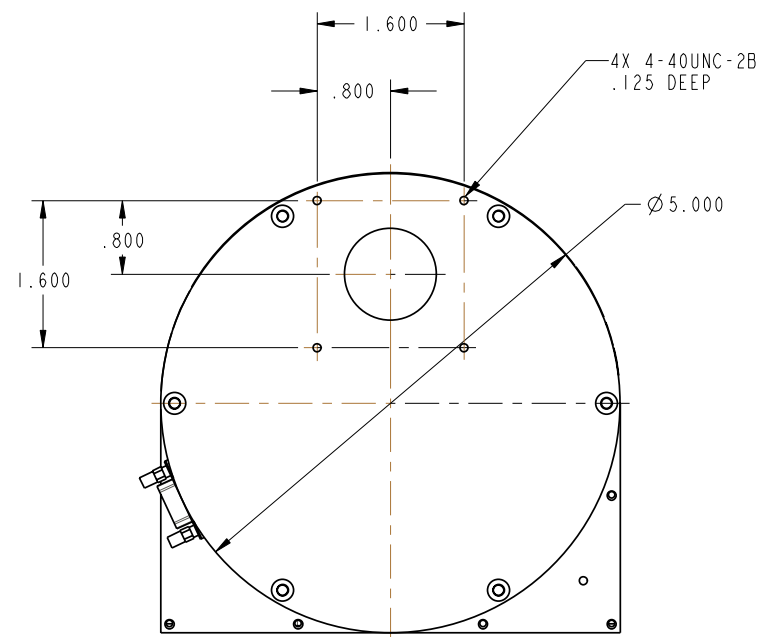
A



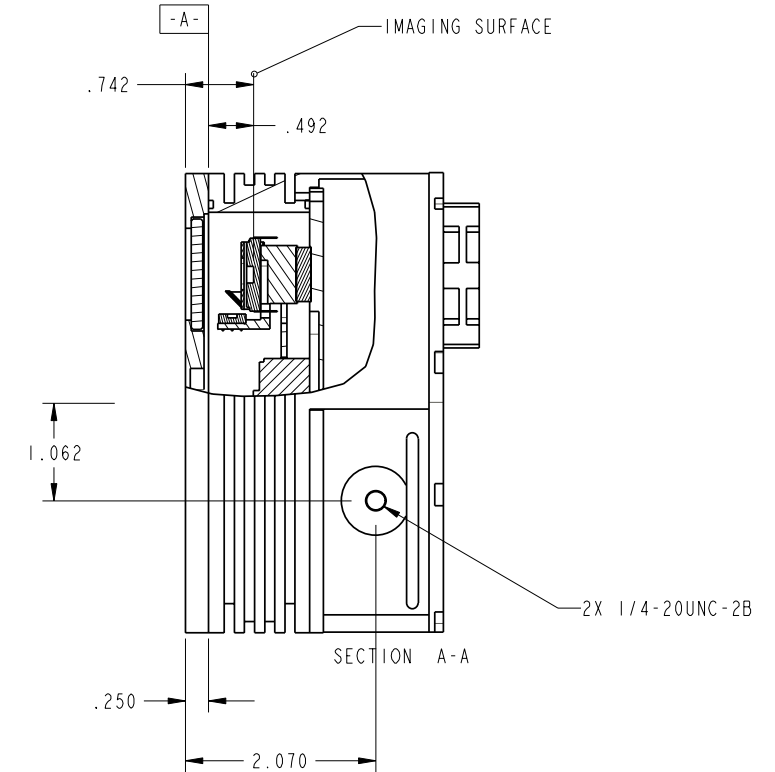
BACK



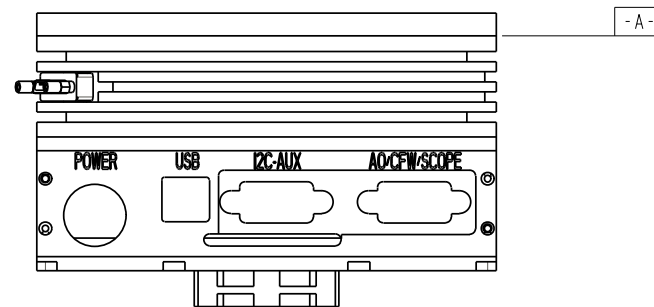
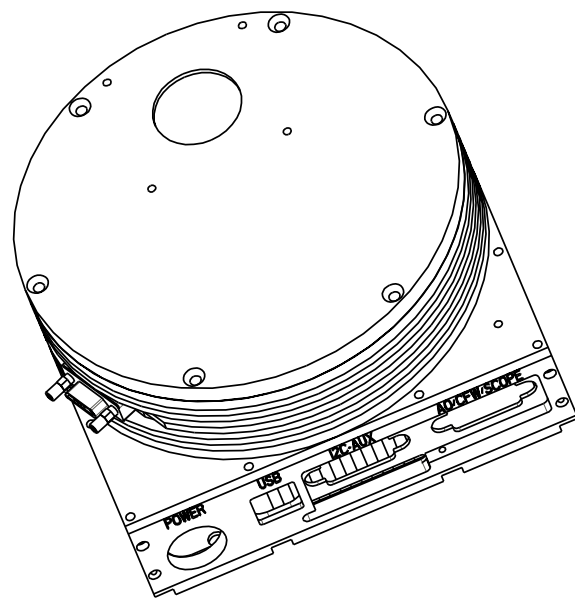
SIDE



FRONT



CUT AWAY



BOTTOM

QTY	REQD	CAGE CODE	PART OR IDENTIFYING NO.	NOMENCLATURE OR DESCRIPTION	MATERIAL SPECIFICATION	ITEM NO.
PARTS LIST						
<p>INTERPRET DWG PER ANSI Y14.5 UNLESS OTHERWISE SPECIFIED DIMENSIONS ARE IN INCHES TOLERANCES ARE:</p> <p>ANGULAR ± 5° DECIMAL .X ± .1 .XX ± .01 .XXX ± .005</p> <p>HOLES &lt;Ø.500 ± .001</p> <p>SURFACE ROUGHNESS 63</p> <p>BREAK CORNERS .005-.020 FILLET RADII .005-.020 DO NOT SCALE DRAWING</p>				<p>CONTRACT NO.</p> <p>APPROVALS DATE</p> <p>DRAWN S. BROWN 6/25/02</p> <p>CHECKED</p> <p>ISSUED</p>		<p>TITLE</p> <p>SBIG ASTRONOMICAL INSTRUMENTS</p> <p>ST7 ASSEMBLY OUTLINE AND MOUNTING</p>
<p>PART DASH NO.</p> <p>NEXT ASSY</p> <p>USED ON</p> <p>APPLICATION</p>		<p>SIZE</p> <p>CAGE CODE</p> <p>D IBCX9</p>		<p>DWG. NO.</p> <p>2170</p>		<p>REV.</p> <p>1</p>
<p>SCALE 1/1</p>				<p>SHEET 1 OF 1</p>		

8

7

6

5

4

3

2

1